



GN 1/2



Insulated container with front opening for the transport of products at controlled temperature

- Brand: MELFORM
- Country of origin: ITALY
- Customs code: 39231090
- Compatible with food contact
- Color: melange grey/blue
- Capacity: 30.5 liters.
- Technology: rotational
- Warranty: 24 months
- Fully recyclable at the end of its operational life.
- Stackable and easy to handle

MANUFACTURING MATERIALS

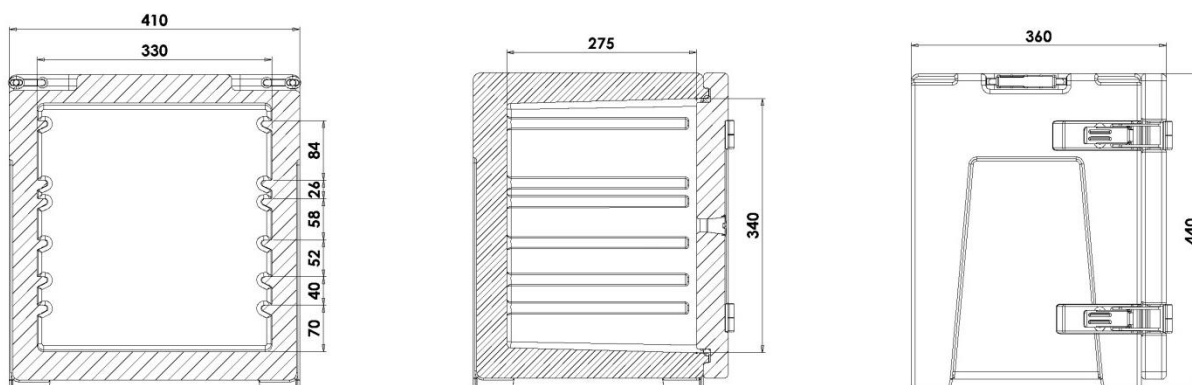
Polyethylene	inner and outer walls of the container and door; suitable for food contact	Polyurethane	insulating material between the walls of the container and the door; CFC and HCFC free
Silicone rubber	gasket	Glass fiber reinforced polyamide	Hinges
Stainless steel	grip handles, closures	POM acetal resin	handle covers

Model	Code	EAN code	Ext. dim. (mm)	Int. dim. (mm)	Capacity (liters)	Weight (kg)
AF6 melange	AF060006	8022949014933				
AF6 blue	AF060001	8022949014889	410x360xh440	330x275xh340	30,5	7,5
AF6 red	AF060004	8022949014919				

PRODUCT FEATURES

	<p>Equipped with 6 seats with differentiated pitch (see dimensional diagram) .</p>		<p>It can carry:</p> <ul style="list-style-type: none"> • 4 GN 1/2 h 65; • 3 GN 1/2 h 100; • 2 GN 1/2 h 150; • 1 GN 1/2 h 65 + 2 GN 1/2 h 100.
	<p>Equipped with opening door up to 240° and easily removable, to facilitate washing operations.</p>		<p>Eutectic plates GN 1/3</p> <ul style="list-style-type: none"> • fresh • frozen <p>to increase maintenance performance thermal over time</p>
	<p>Sealing gasket of the door easily dismantled.</p>		<p>Melform closing hooks in stainless steel.</p>
	<p>Equipped with hinges in shockproof and resistant to stress.</p>		<p>Maxidolly Cart:</p> <ul style="list-style-type: none"> • capacity 150 Kg; • 4 non-marking rubber wheels and PP core; • diam 100 mm; • 2 fixed wheels; • 2 swivel wheels. <p>Available with chromed or stainless steel handle.</p>
	<p>Grip handles stainless steel with handle cover.</p>		<p>Equipped with adjustable vent valve.</p>
	<p>Available (on request) USB datalogger to record temperature during transport.</p>	<p>°C</p>	<p>Container granted for use from -30°C to +100°C.</p>

TECHNICAL DATA (mm)



ACCESSORIES

Model	Code	Color	Ext. DIM. (mm)	Weight (kg)
Fresh plate GN 1/3	AGA003	white with green cap	176x325xh30	1,3
Frozen plate GN 1/3	AGB003	white with yellow cap	176x325xh30	1,6
Maxidolly Cart chrome handle	MAXI0012	Mel. grey blue	525x750xh965	8
Maxidolly Cart stainless steel handle	MAXI0011	Mel. grey blue	525x750xh965	8
Data logger USB	AFG007		80x33xh14	

SPARE PARTS

RRI019	RRI022	RRI113	RRI130	RRI030
Handle cover kit	Gasket kit	Complete hinge kit	Stainless steel closure kit	Vent plugs kit
2 pieces per package	5 pieces per package	2 pieces per package	4 pieces per package	10 pieces per package